

SEMI – ROTA SCREENS



The AAF Semi-rotary screen is a robust mechanically raked curved bar screen which gives a large effective screening area.

The raking mechanism requires the minimum of maintenance and all moving parts, with exception of the raking arm, are above the coping level.

It is designed for medium sized channels up to 2,6 m depth and 3,0 m wide. The preferred bar spacing's are 10, 12, 15, 20, 25 and 50 mm. Other spacing's can be accommodated to suit particular requirements.

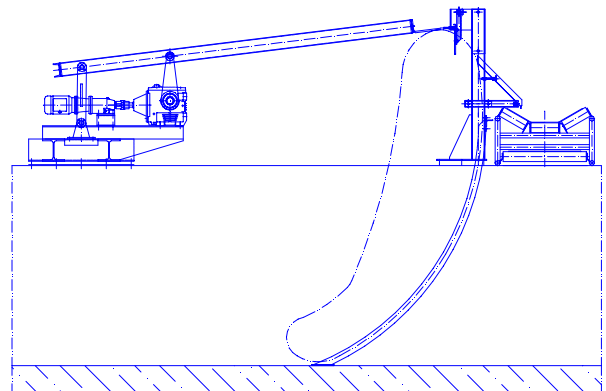
The rotary motion of the drive is converted by a simple crank and link arrangement into a profile action which clears the grid on the upward stroke, disengages and returns to the foot of the grid when the cycle is repeated.

Screenings are discharged by a pivoting scraper down a rocking apron.

The screen drive is protected by a torque limiting monitor in addition to normal starting overloads.

The rake arm parks out of the flow at the end of each cycle.

The control panel is featuring a timer and a level indicating start - stop function.



Screening discharge to drainage channel, belt conveyor or screw conveyor.

Materials

rake, scraper and apron:
stainl. steel 1.4301

screen, cranks and frame:
hot-dipped galv. steel

all fixing material :
stainl. steel 1.4301

Other specifications are available on request.